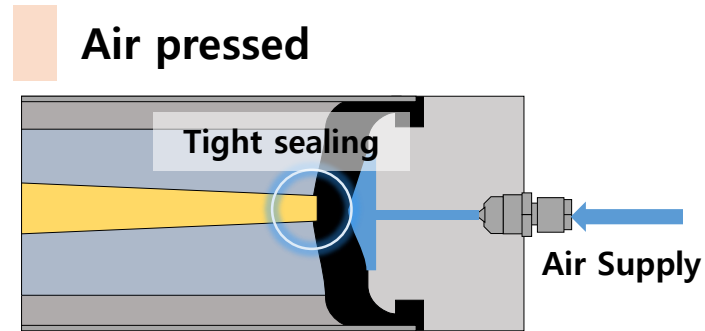
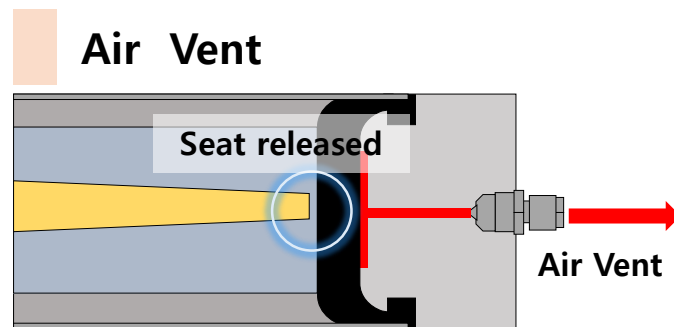


The disc does not contact the seat, resulting in low torque and reduced actuator size



Sealing element pneumatically pressed tight
Prevent leakage of fluid



pneumatic signal fail, the air exhaust urgently within 0.5 seconds